

TDN WDR IR Mini Dome Camera

H4W4PRV3

Honeywell's rugged H4W4PRV3 mini dome camera is taking quality and reliability to the next level, offering outstanding picture clarity and hassle-free flexible system integration.

Superior Image Quality

- Full HD 4 MP 20 fps image with a 1/3" 4 megapixel sensor
- Wide Dynamic Range, up to 120 dB, ensures glare-free images
- True Day/Night provides vivid color images by day and clear black-and-white images at night with ICR
- Excellent low-light performance with 3D noise reduction, saving storage and bandwidth

Flexible Surveillance Solution

- 2.8 mm fixed lens at F2.0
- H.264 and MJPEG codec, triple stream support
- IR LEDs provide up to 98 ft (30 m) of illumination in dimly lit or nighttime scenes (depending on scene reflectance)
- Smart IR technology provides even distribution of IR
- Waterproof (IP66) and vandal-resistant (IK10) camera housing
- -22°F to 140°F (-30°C to 60°C) working temperature
- Plug-and-play compatible with Honeywell 4/8/16-channel Performance Series Embedded NVRs

Easy to Install and Use

- Built-in PoE (Power over Ethernet) eliminates need for separate power supply and associated wiring; 12 VDC inputs where PoE power is unavailable
- Remote configuration through web client or from the NVR
- Compatible with HQA-BB2 junction box, HQA-WK wall mount, HQA-PM pole mount, and HB34S2-CM corner mount



Market Opportunities

These flexible, fully featured cameras are ideal for a wide range of indoor and outdoor surveillance applications, providing excellent picture quality at minimal bandwidth while offering reliable protection against dust, dirt, and water.

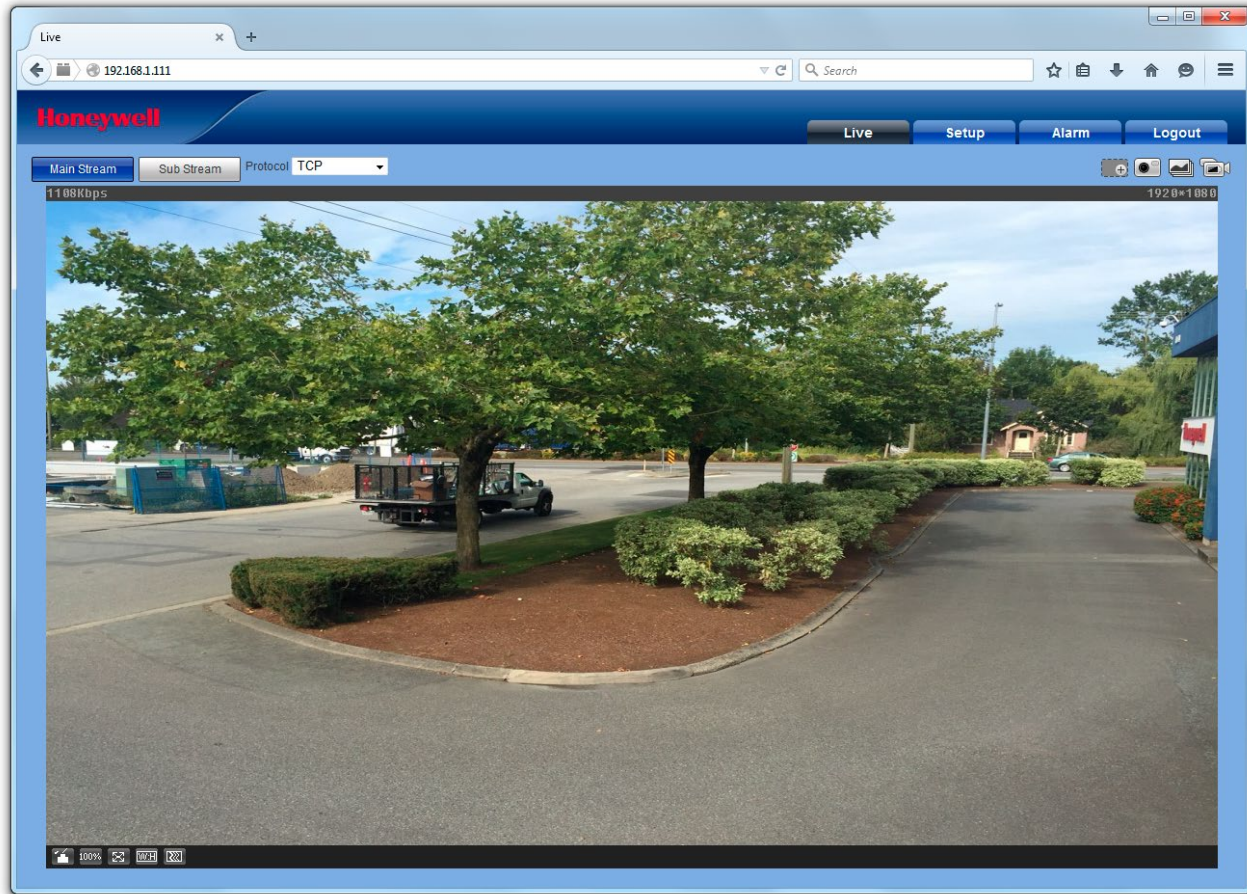
FEATURES AND BENEFITS

- 1/3" 4 MP progressive scan imager
- 2.8 mm fixed lens
- True day/night (IR-cut filter)
- Wide dynamic range up to 120 dB
- Low-light performance down to 0.01 lux (color) or 0 lux with IR LEDs on
- Up to 98 ft (30 m) IR illumination, depending on scene reflectance
- H.264 Main Profile compression
- Triple stream support
- Up to 4 MP resolution at 20 fps
- Supports up to 20 connections
- Corridor mode
- PoE, 12 VDC support
- Plug-and-play compatible with Honeywell Performance Series Embedded NVRs
- IP66 and IK10-rated rugged housing

TDN WDR IR Mini Dome Camera

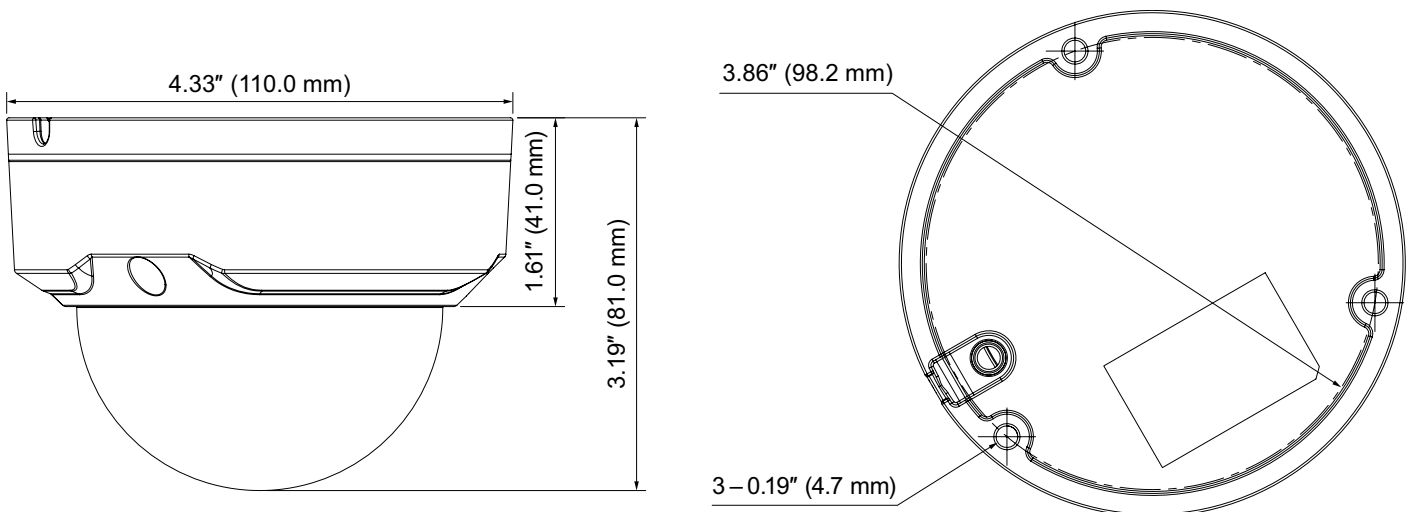
Security Features

The camera can be configured to automatically detect and respond to events such as motion in the scene and/or camera tampering. Automated responses include sending a notification through email, FTP, and/or HTTP, and sending a still image of the event through email and/or FTP. Setup can be done using the web client or from an NVR.



DIMENSIONS

H4W4PRV3



TDN WDR IR Mini Dome Camera

SPECIFICATIONS

OPERATIONAL		
VIDEO STANDARD	NTSC/PAL	
SCANNING SYSTEM	Progressive scan	
IMAGE SENSOR	1/3" 4 MP CMOS	
NUMBER OF PIXELS (H×V)	2688×1520	
MINIMUM ILLUMINATION	0.01 lux, F2.0 (color) 0 lux (with IR LEDs on)	
S/N RATIO	50 dB or more	
ELECTRONIC SHUTTER SPEED	Auto, Manual, 1/3–1/100 000 s	
IR DISTANCE	Up to 98 ft (30 m), depending on scene reflectance	
DAY/NIGHT	Auto(ICR)/Color/BW	
BACKLIGHT COMPENSATION	BLC/HLC/WDR (120 dB)	
WHITE BALANCE	Auto/Sunny/Night/Outdoor/ Customized	
GAIN CONTROL	Auto/Manual	
NOISE REDUCTION	3DNR	
PRIVACY MASKING	Up to 4 areas	
LENS	2.8 mm, F2.0	
HORIZONTAL ANGLE OF VIEW	106°	
CORRIDOR MODE	Yes	
VIDEO		
VIDEO COMPRESSION	H.264/H.264H/H.264B/MJPEG	
RESOLUTION	4 MP (2688×1520/2560×1440)/ 3 MP (2304×1296)/1080p (1920× 1080)/720p (1280× 720)/D1(704× 576/704×480)/ CIF(352×288/352×240)	
FRAME RATE	MAIN STREAM	4 MP (1–20 fps)/ 3MP (1–25/30 fps)
	SUB STREAM	D1/CIF (1–25/30 fps)
	TRIPLE STREAM	720p (1–20 fps)
BIT RATE (H.264)	32 Kbps–10 Mbps	
NETWORK		
ETHERNET	RJ-45 (10/100Base-T)	
PROTOCOLS*	IPv4/IPv6, HTTP, HTTPS, SSL, TCP/ IP, UDP, UPnP, ICMP, IGMP, SNMP, RTSP, RTP, SMTP, NTP, DHCP, DNS, PPPoE, DDNS, FTP, IP Filter, QoS, Bonjour, 802.1X	
COMPATIBILITY	ONVIF Profile S	
MAX. USER ACCESS	20 users	
MOBILE DEVICES	iPhone, iPad, Android	
ELECTRICAL		
POWER SUPPLY	PoE (802.3af), 12 VDC	
POWER CONSUMPTION	4.0 W max.	
MECHANICAL		
DIMENSIONS	4.33 × 3.19 in. (110.0 × 81.0 mm)	
PRODUCT WEIGHT	0.73 lb (0.33 kg)	
PACKAGE WEIGHT	1.04 lb (0.47 kg)	
CONSTRUCTION	Die-cast aluminum housing with powder coat	
CONSTRUCTION COLOR	RAL 9003 (White)	
ENVIRONMENTAL		
TEMPERATURE	–22°F to 140°F (–30°C to 60°C)	
RELATIVE HUMIDITY	0–95%, non-condensing	
INGRESS PROTECTION	IP66	
VANDAL RESISTANCE	IK10	
REGULATORY		
EMISSIONS	FCC Part 15, CE (EN 55032)	
IMMUNITY	CE (EN 50130-4)	
SAFETY	North America UL Listed to UL/CSA 60950-1, CE (EN 60950-1) North America UL Listed to UL/CSA 60950-22, CE (EN 60950-22)	

* Some development may be required in specific user cases to support some of these protocols in the field as they mature over time.

TDN WDR IR Mini Dome Camera

ORDERING

SYSTEM INTEGRATION

OPEN IP INTEGRATION

ONVIF support and open API software integration. Refer to www.onvif.org for the ONVIF specification and the Honeywell Open Technology Alliance website (<http://www.security.honeywell.com/hota/>) to learn more about our open and integrated solutions.



ACCESSORIES

Mounts	
HQA-BB2	Junction box
HQA-WK	Wall mount
HQA-PM	Pole mount (requires HQA-BB2)
HB34S2-CM	Corner mount (requires HQA-BB2)

CAMERAS

H4W4PRV3	Network TDN WDR IR Mini Dome Camera, 1/3" CMOS, 4 MP, 2.8 mm Fixed, 24 IR LEDs, PoE, H.264
-----------------	--

For more information

www.honeywell.com/security

Honeywell Security and Fire

2700 Blankenbaker Pkwy, Suite 150
Louisville, KY 40299
1.800.323.4576
www.honeywell.com

Honeywell reserves the right, without notification, to make changes in product design or specifications.

L/TDNWDRIRMD/D | 08/16
© 2016 Honeywell International Inc.

